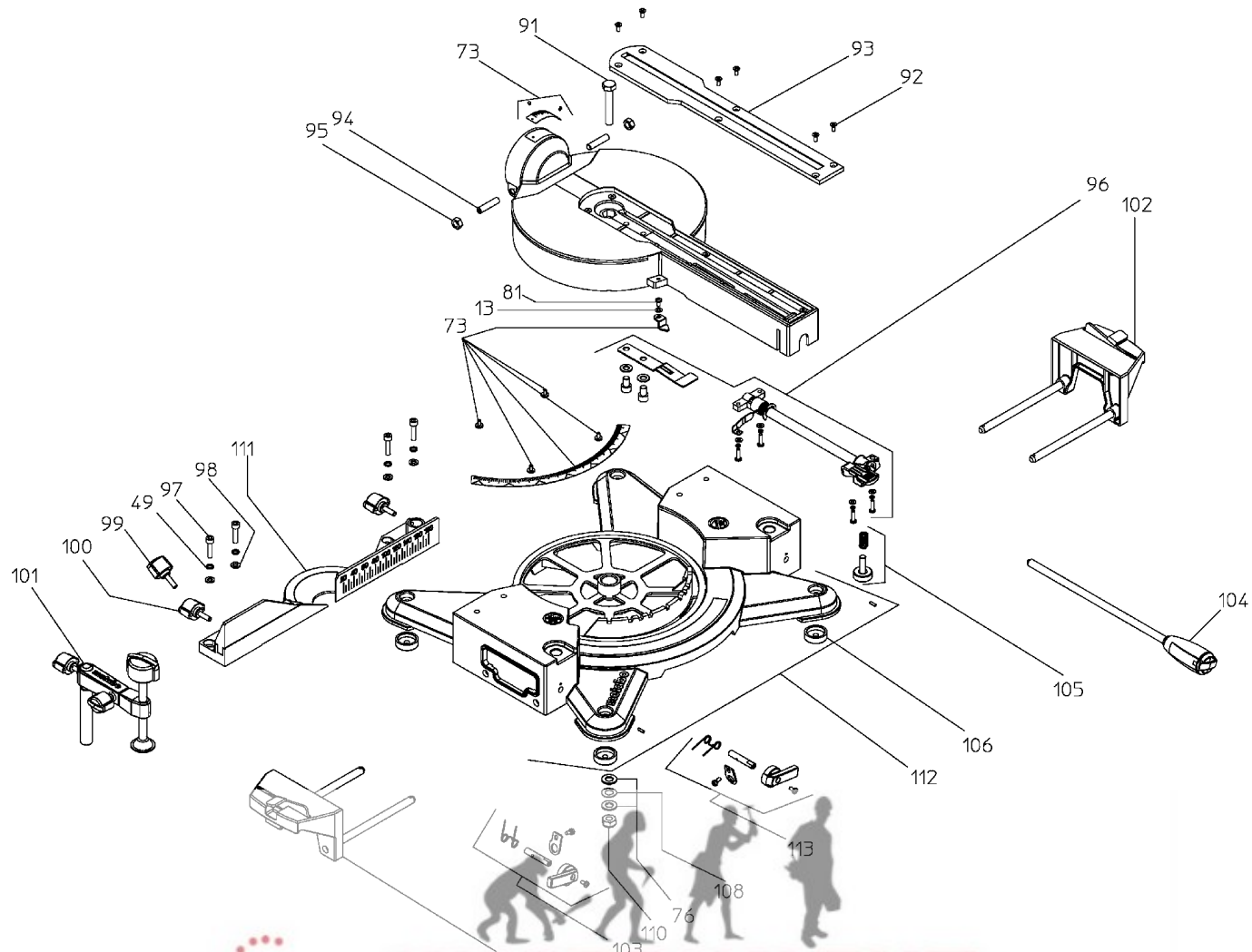
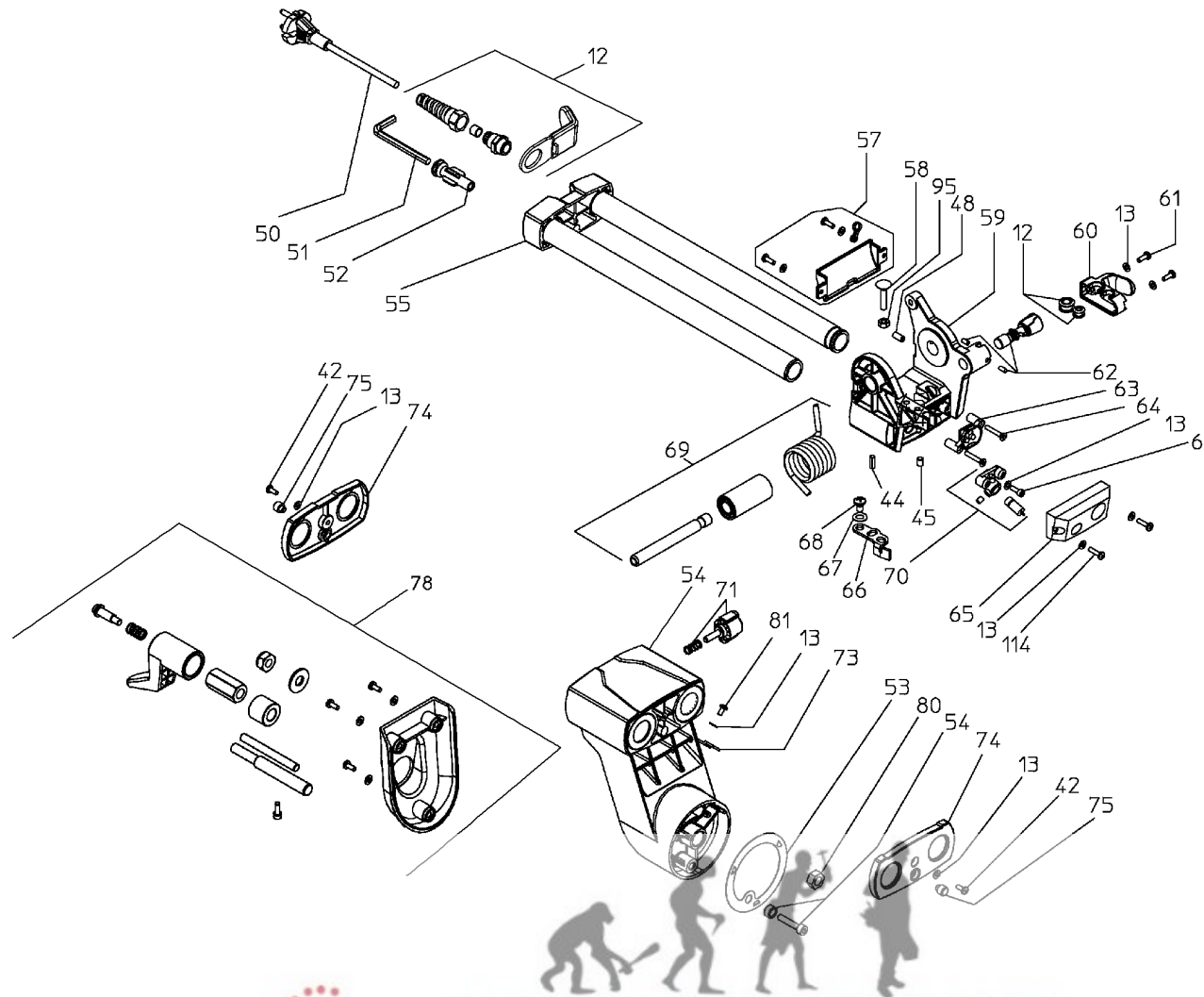


 **АМУР·ИНСТРУМЕНТ·ЦЕНТР**
профессионалами не рождаются, ими становятся



АМУР·ИНСТРУМЕНТ·ЦЕНТР
профессионалами не рождаются, ими становятся



AMUR·ИНСТРУМЕНТ·ЦЕНТР
профессионалами не рождаются, ими становятся

Позиция	Количество	Номер для заказа	Описание	PG
1	1	1010734653	Flange compl.	17
2	1	1010734610	Gear-box compl.	27
3	1	1010734149	Swivel lever compl.	19
4	1	141130100	Hexagonal nut	11
5	1	141124480	HEX. SOCKET SET SCREW, FLAT PT M 6X20 VE	11
6	1	1010734564	Depth stop compl.	11
7	1	1010734572	Dust extraction kit compl.	15
8	1	1381735083	Cover cable duct	11
10	1	1010734599	Wheel guard compl.	31
11	1	1010734556	Release lever compl.	12
12	1	1010734165	Strain relief compl.	15
13	29	141150010	Washer	11
14	8	6172001821	F lister head screw	11
15	2	141111430	F lister head screw	12
16	1	1010734190	Handle compl.	16
17	1	1010734203	Switch set	15
18	1	8106734071	Power supply pack	20
19	1	1010734092	Switch compl.	18
20	1	8050734103	Condenser	11
21	1	1010734181	Handle compl.	24
22	1	1010733991	Carbon brush holder compl.	13
23	1	1388734031	Carbon brush	13
24	2	6172015687	CROSS REC'D PAN HEAD TAP.SCREW	11
25	1	1381733978	MOTOR COVER	13
26	4	141116770	F lister head screw	12
27	6	141150020	Washer	11
28	1	1010734017	Motor housing compl.	25
29	1	7057734854	Rubber bushing	11
30	1	143111440	Ball bearing, 12x28x8	27
31	1	8014734067	Stator	36
33	1	1331734876	Air guide cover	11
34	1	8014734903	Armature	32
35	1	1010734823	Spindle lock compl.	11
36	1	7100083463	DEEP GROOVE BALL BEARING	18
37	1	141151940	Washer	11
38	1	1010734807	Bearing compl.	12
39	1	1381735660	Cover spring	11
40	4	6174188961	COUNTERSUNK HEAD TAPPING SCREW ST 2,9X9,	11
41	1	1381734796	Extraction channel	11
42	5	141124560	RAISED CHEESE HEAD SCREW	11
43	1	1010734637	Safety guard compl.	21

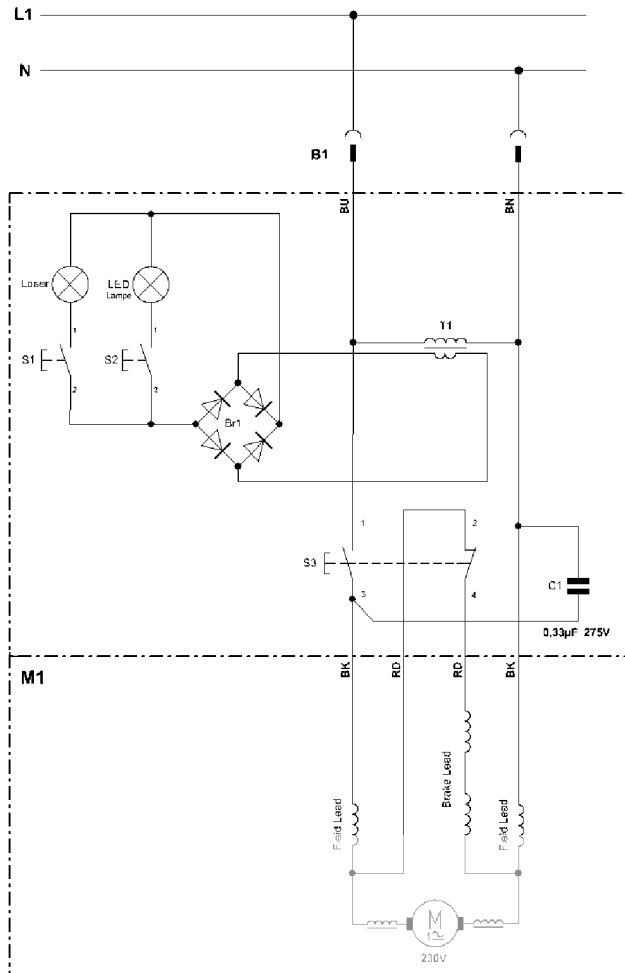


Позиция	Количество	Номер для заказа	Описание	PG
44	2	141161150	Tightening pin	11
45	2	141124510	HEX. SOCKET SET SCREW, FLAT PT M 6X8 VER	11
46	2	6172682314	CROSS REC'D PAN HEAD TAP.SCRE ST 4,2X38-	11
47	1	6127059193	HEXAGON SOCKET HEAD CAP SCREW	11
48	3	341701070	Grub screw	17
49	6	6304001745	Serrated lock washer	11
50	1	8402734940	CABLE WITH PLUG	21
51	1	9102689833	ALLEN HEXAGON KEY	16
52	1	1381734834	Tool holder	11
53	1	1382735095	Sliding sheet	11
54	1	1010734432	Pivot compl.	37
55	1	1010734521	Feed rod compl.	37
57	1	1010734700	Cover compl.	11
58	1	6110000640	CUP SQUARE NECK SCREW M 8X25 VERZ.	11
59	1	1010734505	Motor bracket compl.	29
60	1	1381734710	Cable hook	11
61	3	141113040	F lister head screw	11
62	1	1010734530	Transport lock compl.	11
63	1	8602734766	LED-Lamp	19
64	2	6123084703	RAISED CHEESE HEAD SCREW M 4X20 VERZ.	11
65	1	1381734974	Cover lighting	11
66	1	1482734738	Stop sheet	11
67	1	141150750	Lock washer	11
68	1	6110000632	CUP SQUARE NECK SCREW M 8X16 VERZ.	11
69	1	1010734670	Motor head axle compl.	21
70	1	1010734467	Laser with holder	20
71	1	1010734742	Thumbscrew compl.	11
73	1	1010734416	Scale set compl.	17
74	1	1010734459	cover pivot	13
75	2	7056734753	Plug in buffer	11
76	2	141150050	Washer	11
78	1	316056620	pivot	20
80	1	141130130	Hexagonal nut	12
81	4	6143025088	RAISED CHEESE HEAD SCREW M 4X8 VERZ. DUO	11
90	1	1010734386	Turntable compl.	36
91	1	141113440	Hexagon head screw	12
92	6	141112180	Countersunk screw	11
93	1	1381734966	Table insert	13
94	2	141124460	HEX. SOCKET SET SCREW, FLAT PT	11
95	3	141131010	Hexagonal nut	11
96	1	1010734211	Detent compl.	19



97	4	141114000	Cap screw	12
98	6	141151340	Washer	11
99	1	341111630	Thumbscrew	12
100	2	341112750	Thumbscrew, M6 x 12	11
101	1	1010734351	Workpiece holder compl.	28
102	1	1010734327	Table side extension right	29
103	1	1010734335	Clamping lever compl. left	12
104	1	1010734238	Control grip compl.	16
105	1	1010734912	Set screw compl.	11
106	1	1010734122	Foot set	11
108	1	141150390	Lock washer	11
109	1	1010734297	Table side extension left	29
110	1	141132030	Hex nut	11
111	1	1010734998	Stop compl.	32
112	1	1010734262	Table compl.	42
113	1	1010734343	Clamping lever compl. right	12
114	2	141113200	F lister head screw	11
120	1	1010735617	MOTOR ASSEMBLY 230V KGS 254	47





	Litzenfarben	Colour of strands	Couleur des cordons
BK	schwarz	black	noir
WH	weiß	white	blanc
BU	blau	blue	bleu
YE	gelb	yellow	jaune
RD	rot	red	rouge
TR	transparent	transparent	transparent
BN	braun	brown	brun
GY	grau	grey	gris
GNYE	grün-gelb	green-yellow	vert-jaune
BKWH	schwarz-weiß	black-white	noir-blanc
GN	grün	green	vert
OG	orange	orange	orange
VT	violett	violet	violet
TQ	türkis	turquoise	turquoise

	Bedeutung der Kurzzeichen	Meaning of the symbols	Interprétation des symboles
B	Stecker	plug	fiche
C	Kondensator	condenser	condensateur
D	Funkentstördrossel	interference suppression inductance	inductance d'antiparasitage
E	Elektronik-Baustein	electronic unit	unité électronique
I	Induktionsspule	induction coil	bobine d'inductance
K	Klemme	terminal	borne
L	Licht	light	lumière
M	Motor	motor	moteur
O	Überlastschutz	overload cut-out	déclencheur de surintensité
R	Drehrichtungsumschalter	reversing switch	commutateur droite-gauche
S	Schalter	switch	interrupteur
U	Umschalter	change-over switch	commutateur
X	Elektronik-Element	electronic element	élément électronique



AMUR·ИНСТРУМЕНТ·ЦЕНТР
 профессионалами не рождаются, ими становятся